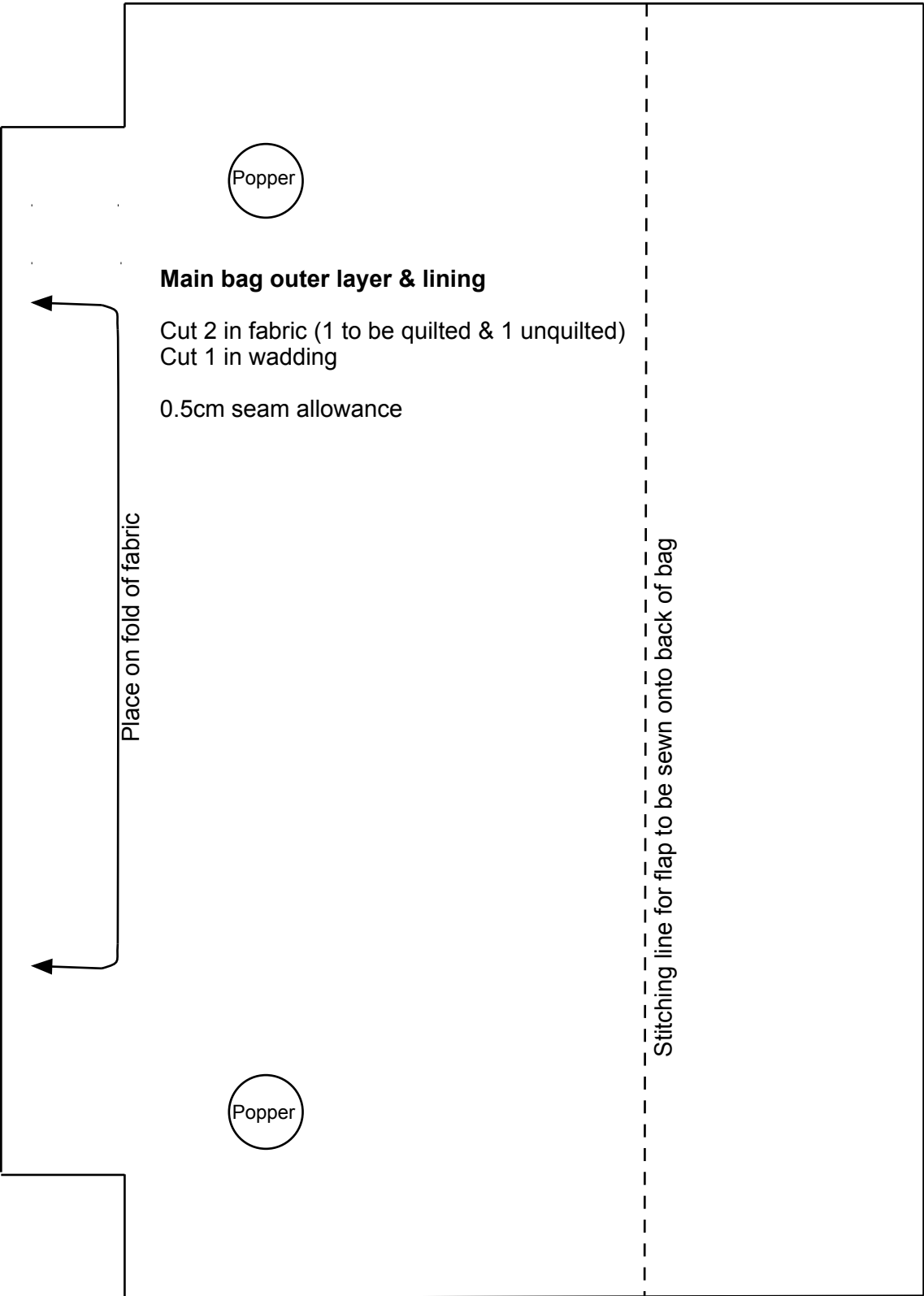


# Pattern Template for Hollywood Glamour Light Up Make Up Bag

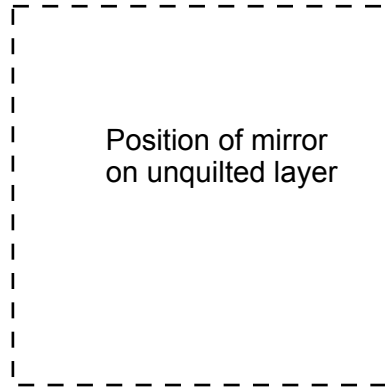


# Pattern Template for Hollywood Glamour Light Up Make Up Bag

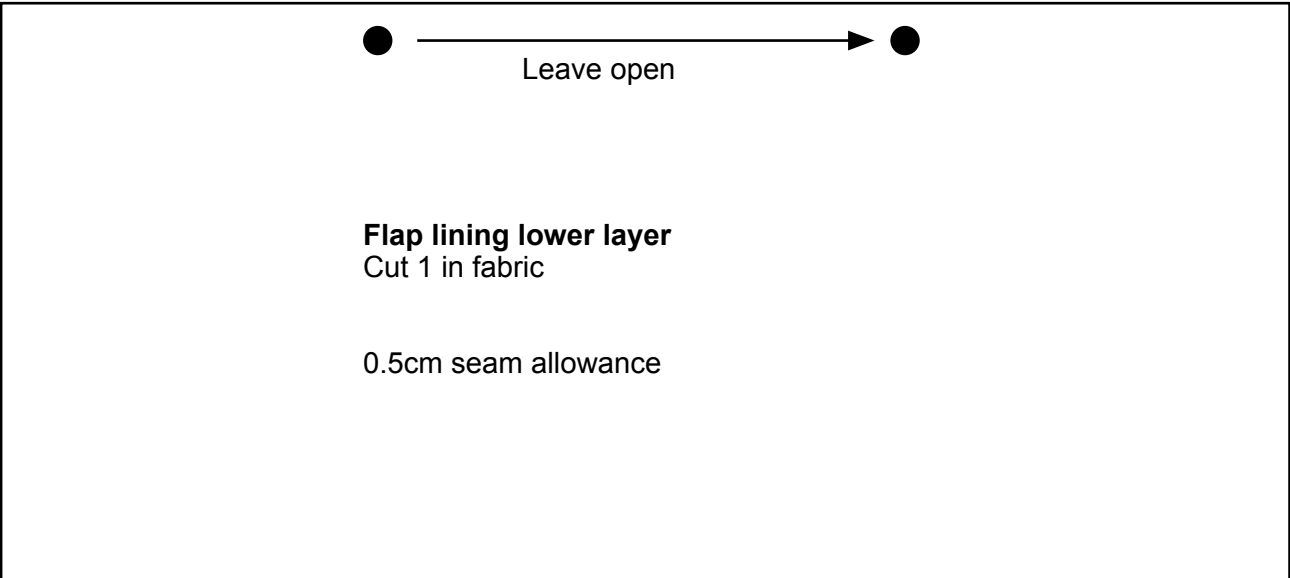
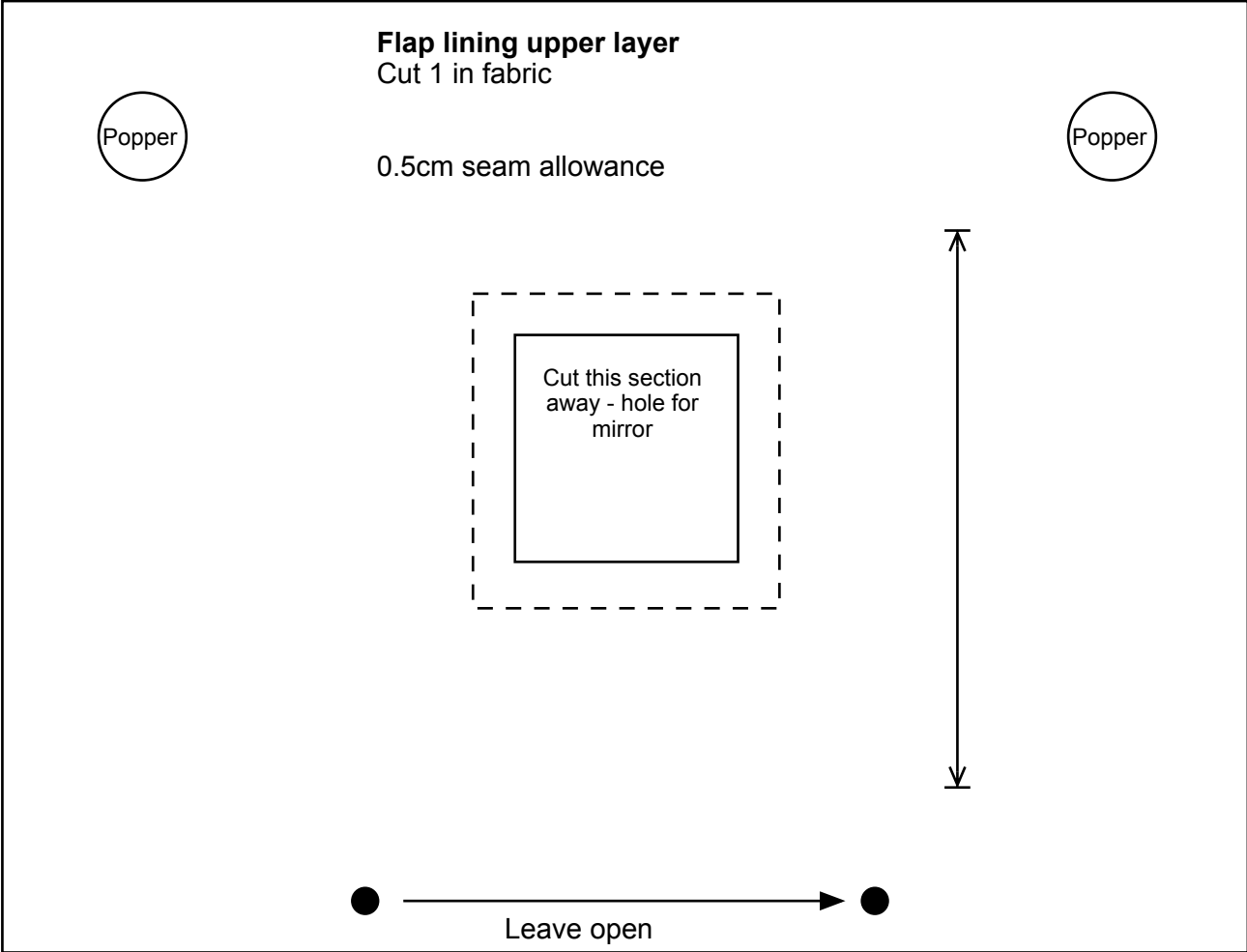
## Flap

Cut 2 in fabric (1 to be quilted & 1 unquilted)

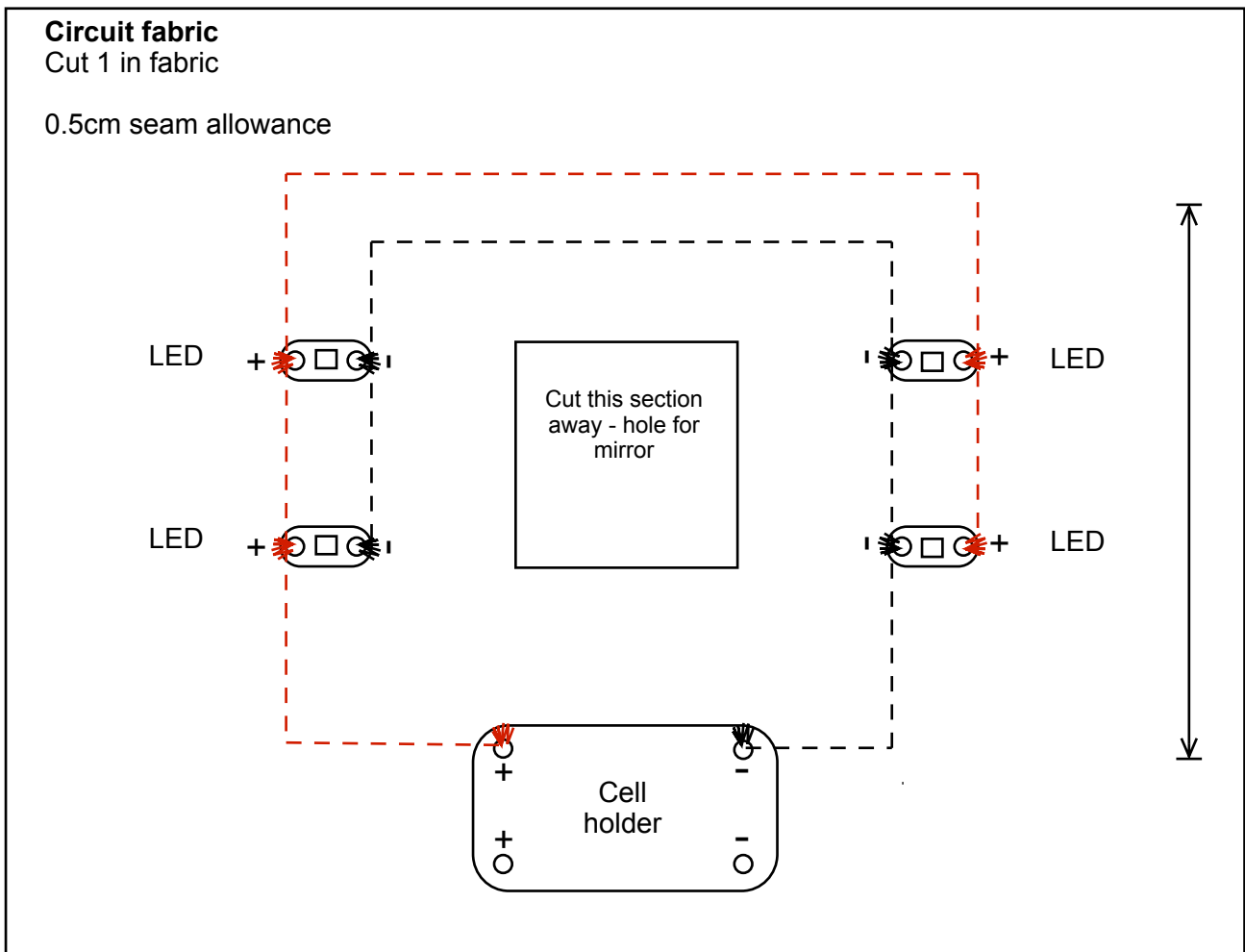
0.5cm seam allowance



# Pattern Template for Hollywood Glamour Light Up Make Up Bag



# Pattern Template for Hollywood Glamour Light Up Make Up Bag



-----  
Indicates stitching line for negative side of the circuit

-----  
Indicates stitching line for positive side of the circuit